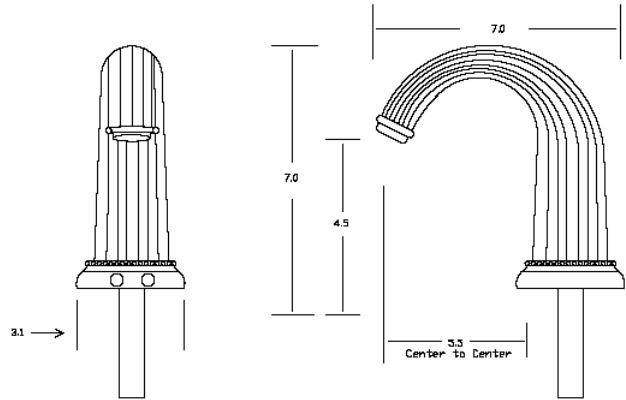


FONTANA POLISH GOLD DECK MOUNT COMMERCIAL SENSOR FAUCET SPECS



SPECS:

Spout: Solid Brass

Power: 4 (AA) Batteries / AC Adapter
Optional

Battery life expectancy: 300,000 cycles

Solenoid valve: 6 Volt magnet latching

Working Water Pressure: 1 PSI -100 PSI

Supply Inlet Size: 1/2" NPT Male

Water Temperature Control: Optional

Pop-Up Drain Rod: Optional

Sensor type and Location: Active Infrared,
Base mount

Sensor Microprocessor: Digital, Plug And
Play

Sensing Range: 2" to 8" Adjustable

Response Time: 0.3 Second

Shut-Off Delay Time: 2 Seconds

Maximum Running Time: 60 Seconds

Particle filter size: 50 Micron

Aerator: 1.5 GPM Standard, Options

Available

